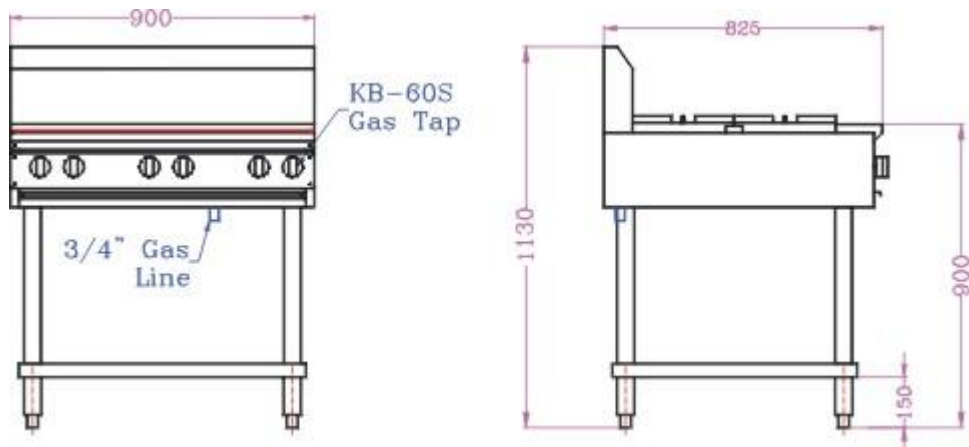


## Cook Top – Combination Series



Combination stove series is available in a number of configurations from 2-10 burner capacity. All stoves can accommodate either standard boiling burners, cast iron Char Grill or Burger plate

- Stainless steel exterior
- Heavy duty enamelled cast iron trivets
- Cast iron two piece mushroom burner with vertical slots for higher performance and enamelled cap for easy cleaning
- Removable enamel spillage bowls
- Hi-Lo two stage gas tap with pilots
- Sturdy 2" stainless steel tube stand with base shelf
- Double skin side panels



Model Numbers	Number of Burners	Dimensions: (W x D x H)	Gas Capacity (MJ):	Optional
AL300CT	2	300 x 825 x 900	30	Char Grill or Burger Plate*
AL600CT	4	600 x 825 x 900	60	Char Grill or Burger Plate*
AL900CT – <span style="color: red;">Picture Shown</span>	6	900 x 825 x 900	90	Char Grill or Burger Plate*
AL1200CT	8	1200 x 825 x 900	120	Char Grill or Burger Plate*
AL1500CT	10	1500 x 825 x 900	150	Char Grill or Burger Plate*

