

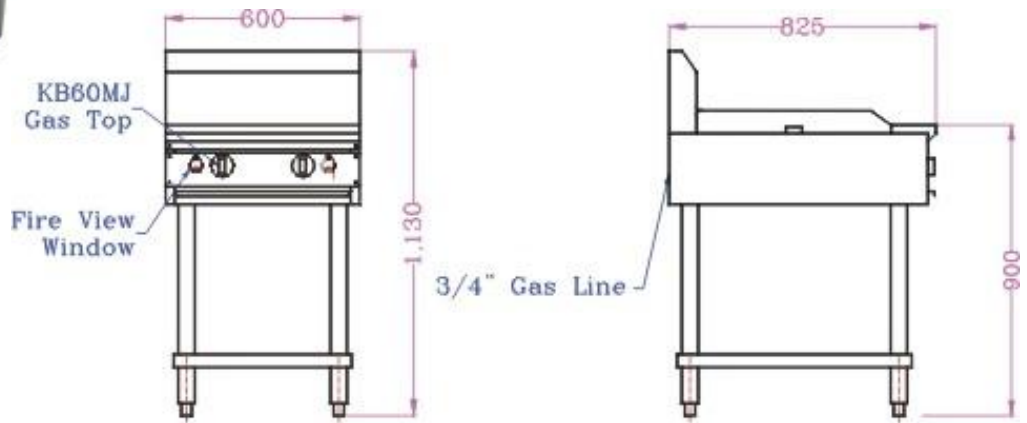
Burger Plate Burner



Burger plate is made out of heavy duty mild steel, providing high heat retention and evenness of cooking.

16-20mm griddle plate is grinded for polished finishing and easy cleaning.

On stainless steel stand and got a base shelf under
Available in both natural gas and LPG



Model Numbers	Number of Burners	Dimensions: (W x D x H)	Gas Capacity (MJ):	Optional
AL300BP	1	300 x 825 x 900	30	Char Grill plate combination*
AL600BP – Picture Shown	2	600 x 825 x 900	60	Char Grill plate combination*
AL900BP	3	900 x 825 x 900	90	Char Grill plate combination*
AL1200BP	4	1200 x 825 x 900	120	Char Grill plate combination*

