

Burger Plate Burner Toaster

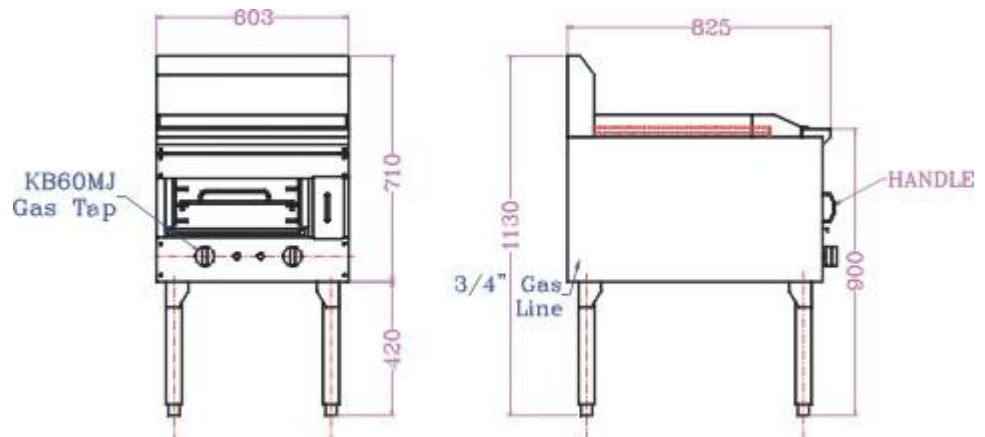


Cast iron burger plate toaster is specially designed for heavy duty use, providing high performance, and durability.

Griddle plate is made out of 20mm cast iron, providing high heat retention and evenness of cooking.

Toaster is fully insulated and finished in enamel and incorporates a fire brick heating system to provide even toasting of product.

Available in both natural gas and LPG



Model Numbers	Number of Burners	Dimensions: (W x D x H)	Gas Capacity (MJ):
AL600BPT – Picture Shown	2	600 x 825 x 900	60
AL900BPT	3	900 x 825 x 900	90
AL1200BPT	4	1200 x 825 x 900	120

